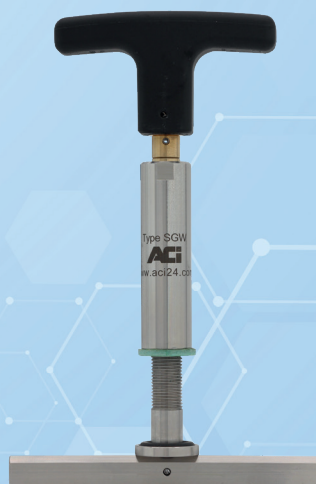
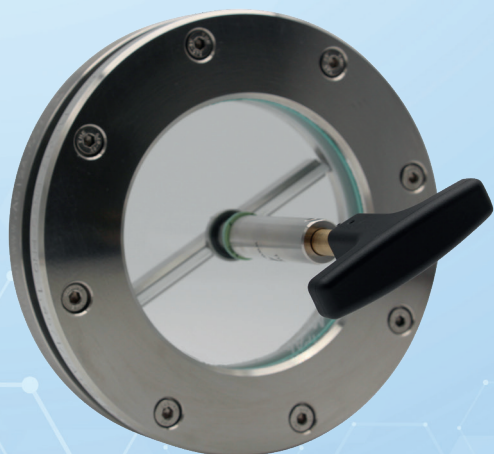


Sight-Glass-Wiper

for round sightglass plates



APPLICATION:

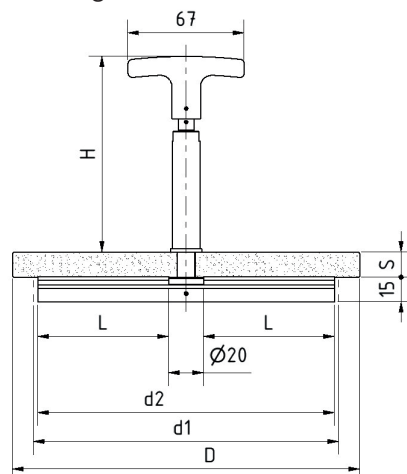
For manual cleaning of glass plates in sight glass fittings as needed. Suitable for vessels in pressure or vacuum operation. The sight glass wiper type SGW is particularly effective in combination with the spraying device SVI.

INSTALLATION NOTE:

Installed in sightglass plates, similar to DIN 7080, with centric bore $\varnothing 10.5 \pm 0.3$ mm. Suitable for all sightglasses with glasses similar to DIN 7080.

For round sightglass plates

Operating conditions:	
Temperature: (depending on glass and gasket)	up to 220 °C ¹ with Borosilicate glass similar to DIN 7080 and FKM O-Rings Wiper blades: PTFE / Silicone / EPDM
Pressure:	-0,9 to max. 25 ² bar(g)
¹ higher temperatures on request	
² depending on glass thickness (higher pressures on request)	



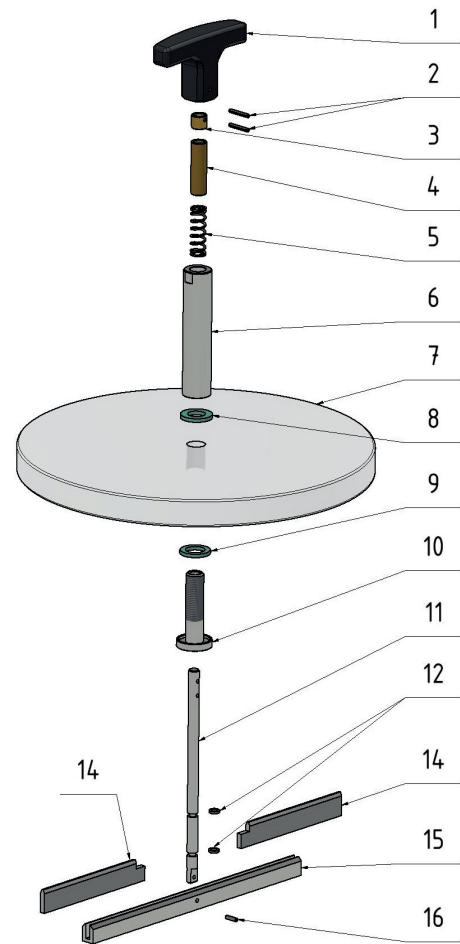
Dimensions															
Size			3	4	5	6	7	8	9	10	11	12	13		
Nominal width	DN		50	80	100	125	150	200	250	300	350	400	500		
Glass \varnothing	D [mm]		100	125	150	175	200	250	300	on request					
Free view	d1 [mm]		80	100	125	150	175	225	280						
Wiper circle \varnothing	d2 [mm]		75	95	120	145	170	220	275						
Glass thickness	S [mm]		Operating pressure max. PS [bar(g)]												
Height	H [mm]														
	116	15	8	5	4	3	2								
	106	25	20	13	8	8	5	4	2						
	116	35	25 ⁴	25 ⁴	21	15	11	7	4						
	106	45	25 ⁴	25 ⁴	25 ⁴	25	18	11	7						
	111	60 ³													

³ 60 mm on request, ⁴ higher pressures on request

Sight-Glass-Wiper

for round sightglass plates

Item	Bill of material:	
1.	Rotary handle, T-shape	PA with brass bushing
2.	Dowel pins	1.4310
3.	Spacer sleeve	Brass
4.	Spacer sleeve	Brass
5.	Compression spring	1.4310
6.	Threaded sleeve	⁵ 1.4404 / 1.4571
7.	Sightglass plate	Borosilicate glass
8.	Gasket (atmosphere side)	C-4300, asbestos-free
9.	O-ring (medium wetted)	FKM, FFKM ^H , FDA conform
10.	Threaded bushing	⁵ 1.4404 / 1.4571
11.	Wiper shaft	⁵ 1.4404 / 1.4571
12.	O-rings (medium wetted)	FKM, FFKM ^H , FDA conform
14.	Wiper blades	PTFE, Silicone, EPDM, FDA conform
15.	Blade holder	⁵ 1.4404 / 1.4571
16.	Dowel pin	1.4310
⁵ according to availability ^H high-temperature variant		



Exploded view:
Type SGW sightglass plate

ATTENTION:

The T-handle is not designed as a carrying handle!

Sight-Glass-Wiper

for round sightglass plates

PRODUCTCODE:

Group	TYPE	DN	Glass thickness [mm]	Glass	Wiper circle Ø	Wiper blades	Variant
11	SGW	3: 50 4: 80 5: 100 6: 125 7: 150 8: 200 ... 13: 500 X: Special	2: 15 4: 25 6: 35 8: 45 10: 60	0: without glass 1: Borosilicate glass similar DIN 7080 X: Special	1: Standard X: Special	1: PTFE (260°C) 2: Silicone (180°C) 3: EPDM (100°C) X: Special	H: High-temperature up to 260°C, on request Assigned by ACI if required

INFO: Unless otherwise stated, the factory standard highlighted is supplied.

OPTIONS:

- a) Motor drive
- b) High-temperature version up to 260°C
- c) Earth connection for EX applications

COMBINATIONS:

The simultaneous combination of the sightglass wiper type SGW with a luminaire as well as with the spraying device SVI is possible. In this case, the max. permissible temperature and the thermal shock resistance of the sightglass plate must be observed.

EXAMPLE:

11-SGW-5-2-1-1-1-0 equivalent to:

ACI Type SGW

Pressure-retaining parts and parts in contact with media made of 1.4404 or 1.4571

Size 5: DN 100

Glass thickness 15 mm

Borosilicate glass similar DIN 7080

Wiper circle Ø 120 mm

Wiper blades made of PTFE

Standard design

- further variants optional

