

TLBVH23 – Teflon™ Lined Ball Valve, handlever operated

Description

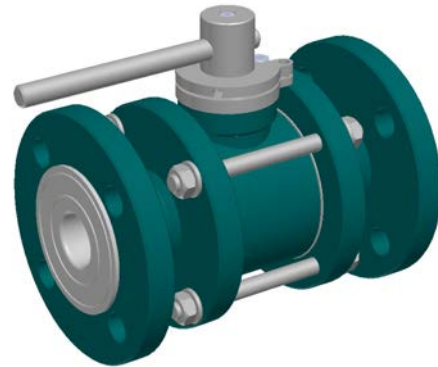
Full bore Teflon™ lined ball valve with flanged ends and 3-piece body, for corrosive applications.

Product features

- Size range DN 15 – 100
- Flange rating PN 10/16 (ANSI cl. 150)
- Face to face dimension DIN 3202-F1 / EN 558-1
- Max. working pressure max. 16 bar
- Temperature range -50 °C to 180 °C
- Anti-static version available as option

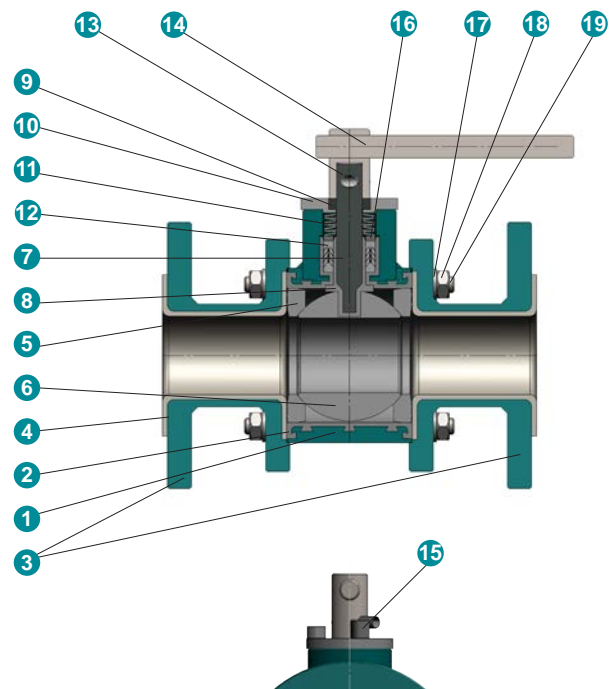


The ball valves TLBV meet the safety requirements of the PED 2014/68/EU and with antistatic lining as well the ATEX 2014/34/EU.

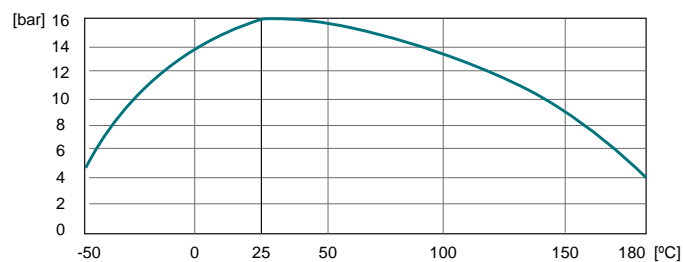


Construction

Item	Description	Material
1	Body	Carbon steel 1.0050 / St 50.2, Epoxy coated
2	Body lining	PFA / PFA antistatic
3	Flange end pieces	Carbon steel 1.0050 / St 50.2, Epoxy coated
4	Lining of flanges	PFA / PFA antistatic
5	Seat ring	PTFE / PTFE antistatic
6	Ball	PTFE / PTFE antistatic (DN 65 - 100 with steel reinforcements)
7	Stem	Carbon steel 1.6580 / 30CrNiMo8
8	Lining of stem	PFA / PFA antistatic
9	Stem gliding ring	PTFE antistatic
10	Retaining flange	Stainless steel 1.4571 / X6CrNiMo-Ti17-12-2 / ≈ AISI 316Ti
11	Spring washers	Spring steel 51Si7 / 1.5025
12	Packing bellows	PTFE / PTFE antistatic
13	Spring bolt	Steel 1.0044 / S275JR
14	Handlever	Stainless steel 1.4571 / X6CrNiMo-Ti17-12-2 / ≈ AISI 316Ti
15	Stroke limiter bold	Stainless steel A4-70
16	Gland ring	Stainless steel 1.4571 / X6CrNiMo-Ti17-12-2 / ≈ AISI 316Ti
17-19	Body bolting	Stainless steel A2-70



Pressure- / temperature diagram



Fluids under control.

TLBVH23 – Teflon™ Lined Ball Valve, handlever operated

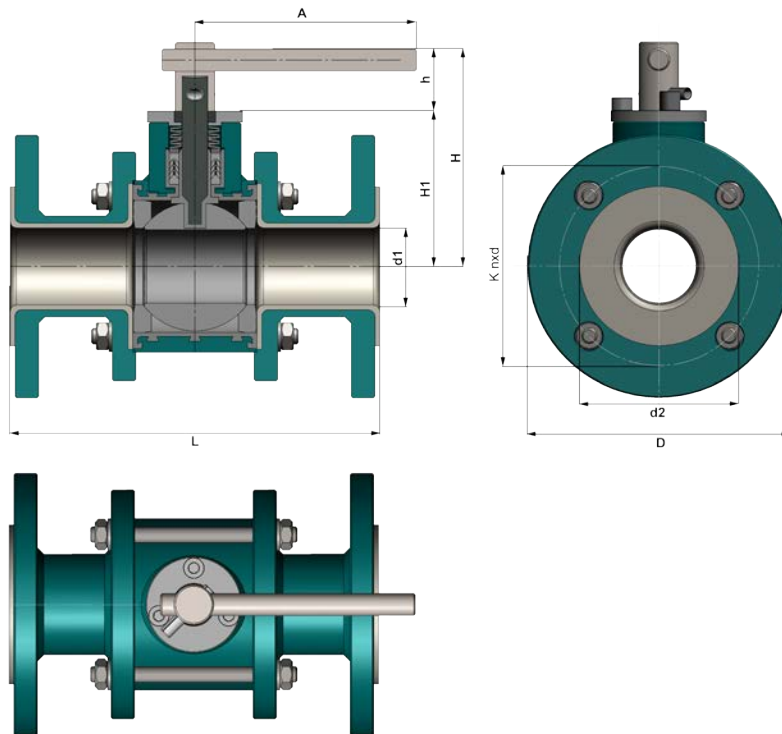
Type code

TLBVH 23 F F . 025 . 3CT . T . T - ...

① ② ③ ④ ⑤ ⑥ ⑦ ⑧ ⑨

① Type	TLBVH	Teflon™ lined ball valve with handlever	
② Construction	23	2/2 ways, 3-piece body	
③ Bore	F	Full bore	
④ Face to face	F	DIN 3202-F1 / EN 558-1 (long)	
⑤ Size	015-100	DN 15 - 100 mm (½" - 4")	
⑥ Material body	3CT	Carbon steel 1.0050 PFA lined	
	3CA	Carbon steel 1.0050 PFA antistatic lined	
⑦ Material ball	T	PTFE	
	A	PTFE antistatic	
	TG	PTFE GF reinforced	Optional
	C	Ceramic	Optional
⑧ Material seat rings	T	PTFE	
	A	PTFE antistatic	
	TG	PTFE GF reinforced	Optional
⑨ Special executions	C	Ceramic	Optional
	SCF	Cavity filler seats (very low dead volume)	
	ANSI150	Flange drilling acc. to ANSI class 150	

Dimensions



DN	D	K	n x d	d1	d2	L	H	H1	A	h	kv [m³/h]	[kg]
15	95	65	4 x 14	13	46	130	78	48	90	30	17.5	1.9
20	105	75	4 x 14	18	56	150	80	50	135	30	31	2.9
25	115	85	4 x 14	24	65	160	84	54	135	30	75	4.0
32	140	100	4 x 18	32	75	180	107	72	175	35	155	6.0
40	150	110	4 x 18	38	83	200	113	78	175	35	200	8.4
50	165	125	4 x 18	48	101	230	140	100	215	40	310	11.2
65	185	145	4 x 18	62	111	290	145	105	250	40	500	15.0
80	200	160	8 x 18	76	133	310	172	127	285	45	800	20.5
100	220	180	8 x 18	96	154	350	172	127	320	45	1250	29.0

InterApp AG
 Grundstrasse 24
 CH-6343 Rotkreuz
 Phone +41 (0) 41 7982233
 Fax +41 (0) 41 7982234
 info@ch.interapp.net

InterApp Ges.m.b.H.
 Kolpingstrasse 19
 A-1230 Wien
 Phone +43 (0) 1 6162371-0
 Fax +43 (0) 1 6162371-99
 info@at.interapp.net

InterApp Italiana
 Via Gramsci 29
 I-20016 Pero (MI)
 Phone +39 02 339371
 Fax +39 02 33937200
 info@it.interapp.net

InterApp GmbH
 Schillerstrasse 50
 D-42489 Wülfrath
 Phone +49(2058) 8909250
 Fax +49(2058) 8909255
 info@de.interapp.net

AVK Válvulas S.A.
InterApp Válvulas S.A.
 Polígono Industrial Francoi, parcela 27
 E-46006 Tarragona
 Phone +34 977 543 008
 Fax +34 977 541 622
 avk@avkvalvulas.com

The technical data are noncommittal and do not assure you of any properties. Please refer to our general sales conditions. Modifications without notice.

© 2017 InterApp AG, all rights reserved