

# TLBVH22 – Teflon™ Lined Ball Valve, handlever operated

## Description

Full bore Teflon™ lined ball valve with flanged ends and 2-piece body, for corrosive applications.

## Product features

- Size range DN 15 – 100
- Flange rating PN 10/16 (ANSI cl. 150)
- Face to face dimension DIN 3202-F1 / EN 558-1
- Max. working pressure max. 16 bar
- Temperature range -50 °C to 180 °C
- Anti-static version available as option

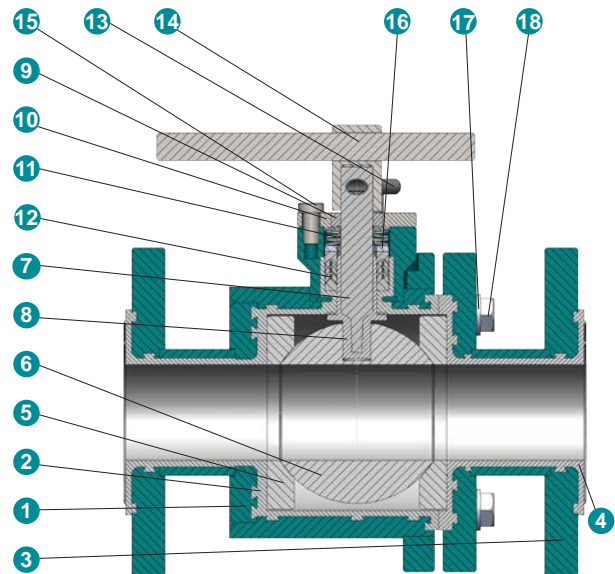


The ball valves TLBV meet the safety requirements of the PED 2014/68/EU and with antistatic lining as well the ATEX 2014/34/EU.

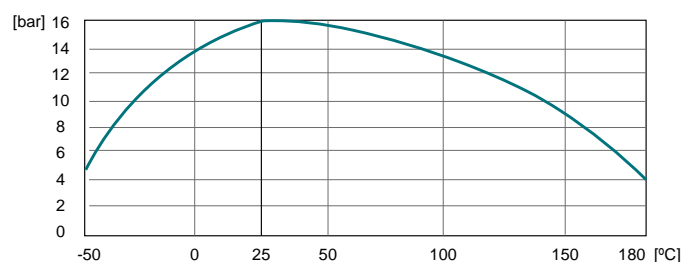


## Construction

| Item | Description         | Material   |
|------|---------------------|--|
| 1    | Body                | Carbon steel 1.0050 / St 50.2, Epoxy / polyester coated        |
| 2    | Body lining         | FEP / PFA / PFA antistatic                                     |
| 3    | Flange end pieces   | Carbon steel 1.0050 / St 50.2, Epoxy / polyester coated        |
| 4    | Lining of flanges   | FEP / PFA / PFA antistatic                                     |
| 5    | Seat ring           | PTFE / PTFE antistatic   |
| 6    | Ball                | PTFE / PTFE antistatic (DN 65 - 100 with steel reinforcements) |
| 7    | Stem                | Carbon steel 1.6580 / 30CrNiMo8                                |
| 8    | Lining of stem      | FEP / PFA / PFA antistatic                                     |
| 9    | Stem gliding ring   | PTFE antistatic  |
| 10   | Retaining flange    | Stainless steel 1.4571 / X6CrNiMo-Ti17-12-2 / ≈ AISI 316Ti     |
| 11   | Spring washers      | Spring steel 51Si7 / 1.5025                                    |
| 12   | Packing bellows     | PTFE / PTFE antistatic   |
| 13   | Spring bolt         | Steel 1.0044 / S275JR  |
| 14   | Handlever           | Stainless steel 1.4571 / X6CrNiMo-Ti17-12-2 / ≈ AISI 316Ti     |
| 15   | Stroke limiter bolt | Stainless steel A4-70  |
| 16   | Gland ring          | Stainless steel 1.4571 / X6CrNiMo-Ti17-12-2 / ≈ AISI 316Ti     |
| 17   | Washer              | Stainless steel A2-70  |
| 18   | Screw               | Stainless steel A2-70  |



## Pressure- / temperature diagram



Fluids under control.

# TLBVH22 – Teflon™ Lined Ball Valve, handlever operated

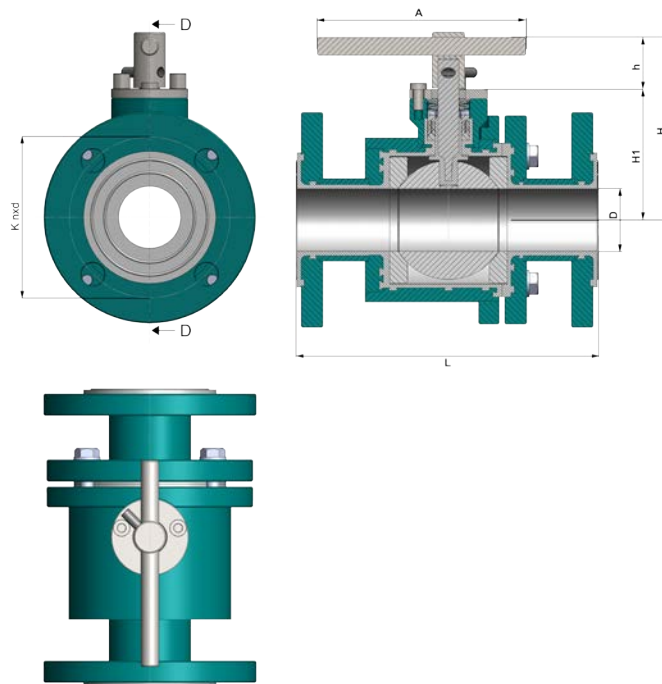
## Type code

TLBVH 22 F F . 025 . 3CT . T . T - ...

① ② ③ ④ ⑤ ⑥ ⑦ ⑧ ⑨

|                       |         |  |          |
|-----------------------|---------|--|----------|
| ① Type                | TLBVH   | Teflon™ lined ball valve with handlever    |          |
| ② Construction        | 22      | 2/2 ways, 2-piece body                     |          |
| ③ Bore                | F       | Full bore                                  |          |
| ④ Face to face        | F       | DIN 3202-F1 / EN 558-1 (long)              |          |
| ⑤ Size                | 015-100 | DN 15 - 100 mm (½" - 4")                   |          |
| ⑥ Material body       | 3CT     | Carbon steel 1.0050 PFA lined              |          |
|                       | 3CA     | Carbon steel 1.0050 PFA antistatic lined   |          |
| ⑦ Material ball       | T       | PTFE                                       |          |
|                       | A       | PTFE antistatic                            |          |
|                       | TG      | PTFE GF reinforced                         | Optional |
|                       | C       | Ceramic                                    | Optional |
| ⑧ Material seat rings | T       | PTFE                                       |          |
|                       | A       | PTFE antistatic                            |          |
|                       | TG      | PTFE GF reinforced                         | Optional |
| ⑨ Special executions  | C       | Ceramic                                    | Optional |
|                       | SCF     | Cavity filler seats (very low dead volume) |          |
|                       | ANSI150 | Flange drilling acc. to ANSI class 150     |          |

## Dimensions



| DN  | L   | D  | K   | n x d  | H     | H1    | A   | h  | kv [m³/h] | [kg] |
|-----|-----|----|-----|--------|-------|-------|-----|----|-----------|------|
| 15  | 130 | 13 | 65  | 4 x 14 | 78    | 48    | 90  | 30 | 17.5      | 1.9  |
| 20  | 150 | 18 | 75  | 4 x 14 | 79,5  | 49,5  | 135 | 30 | 31        | 2.9  |
| 25  | 160 | 24 | 85  | 4 x 14 | 83,5  | 53,5  | 135 | 30 | 75        | 4.0  |
| 32  | 180 | 32 | 100 | 4 x 18 | 107   | 72    | 175 | 35 | 155       | 6.0  |
| 40  | 200 | 38 | 110 | 4 x 18 | 113   | 78    | 175 | 35 | 200       | 8.4  |
| 50  | 230 | 48 | 125 | 4 x 18 | 140   | 100   | 215 | 40 | 310       | 11.2 |
| 65  | 290 | 62 | 145 | 4 x 18 | 144,5 | 104,5 | 250 | 40 | 500       | 15.0 |
| 80  | 310 | 76 | 160 | 8 x 18 | 172   | 127   | 285 | 45 | 800       | 20.5 |
| 100 | 350 | 96 | 180 | 8 x 18 | 172   | 127   | 320 | 45 | 1250      | 29.0 |

**InterApp AG**  
 Grundstrasse 24  
 CH-6343 Rotkreuz  
 Phone +41 (0) 41 7982233  
 Fax +41 (0) 41 7982234  
 info@ch.interapp.net

**InterApp Ges.m.b.H.**  
 Kolpingstrasse 19  
 A-1230 Wien  
 Phone +43 (0) 1 6162371-0  
 Fax +43 (0) 1 6162371-99  
 info@at.interapp.net

**InterApp Italiana**  
 Via Gramsci 29  
 I-20016 Pero (MI)  
 Phone +39 02 339371  
 Fax +39 02 33937200  
 info@it.interapp.net

**InterApp GmbH**  
 Schillerstrasse 50  
 D-42489 Wülfrath  
 Phone +49(2058) 8909250  
 Fax +49(2058) 8909255  
 info@de.interapp.net

**AVK Válvulas S.A.**  
**InterApp Válvulas S.A.**  
 Polígono Industrial Francoli, parcela 27  
 E-46006 Tarragona  
 Phone +34 977 543 008  
 Fax +34 977 541 622  
 avk@avkvalvulas.com

The technical data are noncommittal and do not assure you of any properties. Please refer to our general sales conditions. Modifications without notice.

© 2017 InterApp AG, all rights reserved