

TLBVA23 – Teflon™ Lined Ball Valve, pneumatically operated

Description

Full bore Teflon™ lined ball valve with flanged ends and 3-piece body, for corrosive applications.

Product features

- Size range DN 15 – 100
- Flange rating PN 10/16 (ANSI cl. 150)
- Face to face dimension DIN 3202-F1 / EN 558-1
- Max. working pressure max. 16 bar
- Temperature range -50 °C to 180 °C
- Anti-static version available as option

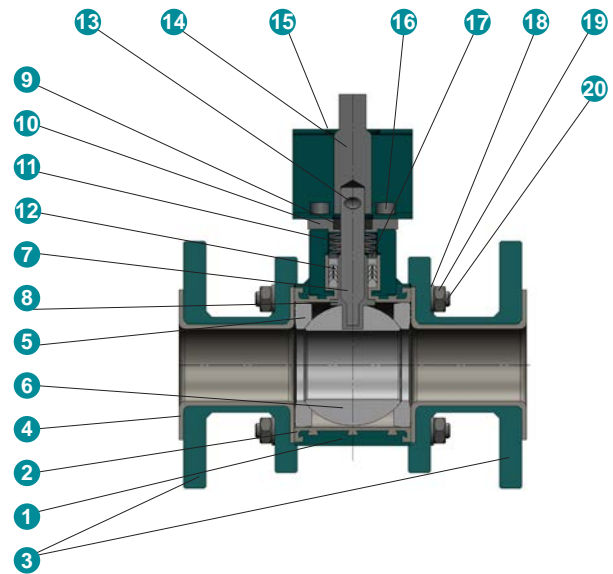


The ball valves TLBV meet the safety requirements of the PED 2014/68/EU and with antistatic lining as well the ATEX 2014/34/EU.

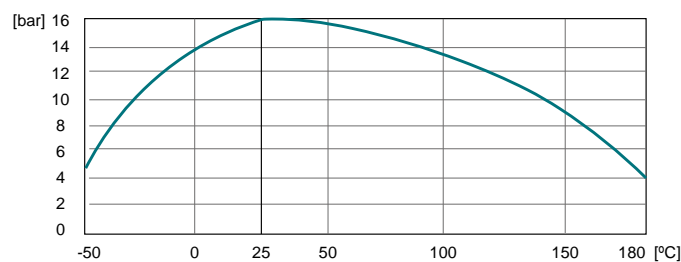


Construction

Item	Description	Material
1	Body	Carbon steel 1.0050 / St 50.2, Epoxy coated
2	Body lining	PFA / PFA antistatic
3	Flange end pieces	Carbon steel 1.0050 / St 50.2, Epoxy coated
4	Lining of flanges	PFA / PFA antistatic
5	Seat ring	PTFE / PTFE antistatic
6	Ball	PTFE / PTFE antistatic (DN 65 - 100 with steel reinforcements)
7	Stem	Carbon steel 1.6580 / 30CrNiMo8
8	Lining of stem	PFA / PFA antistatic
9	Stem gliding ring	PTFE antistatic
10	Retaining flange	Stainless steel 1.4571 / X6CrNiMo-Ti17-12-2 / ≈ AISI 316Ti
11	Spring washers	Spring steel 51Si7 / 1.5025
12	Packing bellows	PTFE / PTFE antistatic
13	Spring bolt	Steel 1.0044 / S275JR
14	Coupling	Carbon steel 1.0050 / St 50.2, Epoxy coated
15	Bracket	Carbon steel 1.0050 / St 50.2, Epoxy coated
16	Bolt	Stainless steel A4-70
17	Gland ring	Stainless steel 1.4571 / X6CrNiMo-Ti17-12-2 / ≈ AISI 316Ti
18-20	Body bolting	Stainless steel A2-70



Pressure- / temperature diagram



Fluids under control.

TLBVA23 – Teflon™ Lined Ball Valve, pneumatically operated

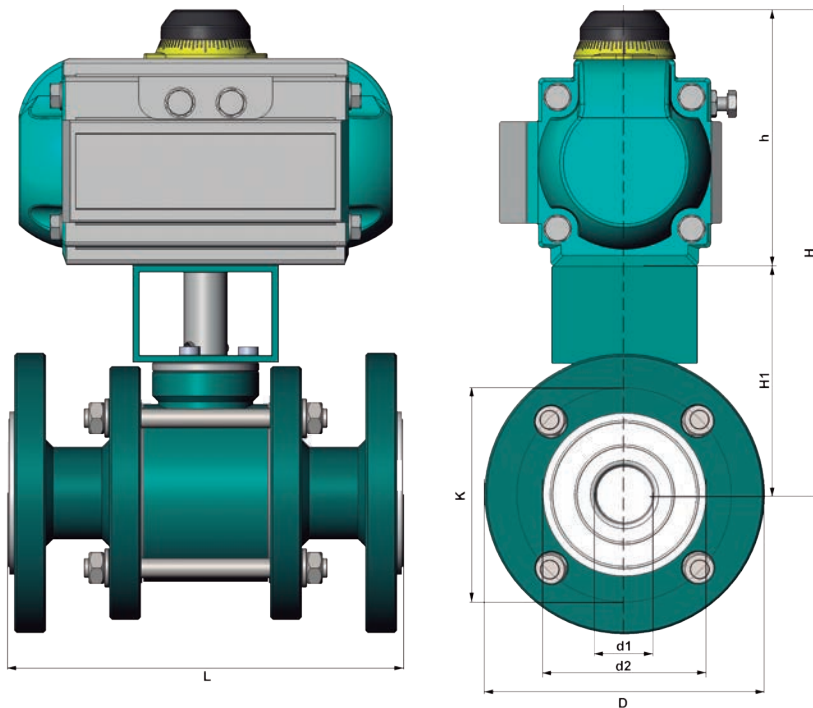
Type code

TLBVA 23 F F . 025 . 3CT . T . T - ...

① ② ③ ④ ⑤ ⑥ ⑦ ⑧ ⑨

① Type	TLBVA	Teflon™ lined ball valve with ISO top flange	
② Construction	23	2/2 ways, 3-piece body	
③ Bore	F	Full bore	
④ Face to face	F	DIN 3202-F1 / EN 558-1 (long)	
⑤ Size	015-100	DN 15 - 100 mm (½" - 4")	
⑥ Material body	3CT	Carbon steel 1.0050 PFA lined	
	3CA	Carbon steel 1.0050 PFA antistatic lined	
	T	PTFE	
⑦ Material ball	A	PTFE antistatic	
	TG	PTFE GF reinforced	Optional
	C	Ceramic	Optional
	T	PTFE	
⑧ Material seat rings	A	PTFE antistatic	
	TG	PTFE GF reinforced	Optional
	C	Ceramic	Optional
	SCF	Cavity filler seats (very low dead volume)	
⑨ Special executions	ANSI150	Flange drilling acc. to ANSI class 150	

Dimensions



DN	D	K	n x d	d1	d2	L	H1	h	H	[kg]	h	H	[kg]	[kg]
								IA...D	IA...D	IA...D	IA...S	IA...S	IA...S	IA...S
15	95	65	4 x 14	13	46	130	88	105	193	3.6	122	210	5.3	17.5
20	105	75	4 x 14	18	56	150	90	105	195	4.6	122	212	6.3	31
25	115	85	4 x 14	24	65	160	94	105	199	5.7	135	229	8.8	75
32	140	100	4 x 18	32	75	180	132	122	254	9.0	147	279	12.6	155
40	150	110	4 x 18	38	83	200	138	122	260	11.4	147	285	15.0	200
50	165	125	4 x 18	48	101	230	160	122	282	14.2	175	335	21.4	310
65	185	145	4 x 18	62	111	290	165	122	287	18.0	175	340	25.2	500
80	200	160	8 x 18	76	133	310	187	147	334	26.2	187	374	33.1	800
100	220	180	8 x 18	96	154	350	187	147	334	34.7	187	374	41.6	1250

InterApp AG
 Grundstrasse 24
 CH-6343 Rotkreuz
 Phone +41 (0) 41 7982233
 Fax +41 (0) 41 7982234
 info@ch.interapp.net

InterApp Ges.m.b.H.
 Kolpingstrasse 19
 A-1230 Wien
 Phone +43 (0) 1 6162371-0
 Fax +43 (0) 1 6162371-99
 info@at.interapp.net

InterApp Italiana
 Via Gramsci 29
 I-20016 Pero (MI)
 Phone +39 02 339371
 Fax +39 02 33937200
 info@it.interapp.net

InterApp GmbH
 Schillerstrasse 50
 D-42489 Wülfrath
 Phone +49(2058) 8909250
 Fax +49(2058) 8909255
 info@de.interapp.net

AVK Válvulas S.A.
InterApp Válvulas S.A.
 Polígono Industrial Francolí, parcela 12
 E-46006 Tarragona
 Phone +34 977 543 008
 Fax +34 977 541 622
 avk@avkvalvulas.com

The technical data are noncommittal and do not assure you of any properties. Please refer to our general sales conditions. Modifications without notice.

© 2017 InterApp AG, all rights reserved