

Installation



Introduction:

To guarantee the benefits of the InterApp butterfly valves ELARA, proper procedures and compliance with the installation instruction are essential. The installation has to be carried out according to the state of the art and only by qualified personnel. InterApp reserves the right to decline responsibility for damage or premature failure if the recommendations contained in this instruction are not being followed. Please consult the InterApp datasheet « Flanges » concerning the allowed flange dimensions.

Consult the corresponding valve datasheet concerning the installation of a valve at the end of the line. Dimension, material and application range of the butterfly valves ELARA are according to the technical documentation.



Storage:

InterApp butterfly valves ELARA should always be stored free from dust and humidity. The valve is supplied with the disc in a slightly open position.



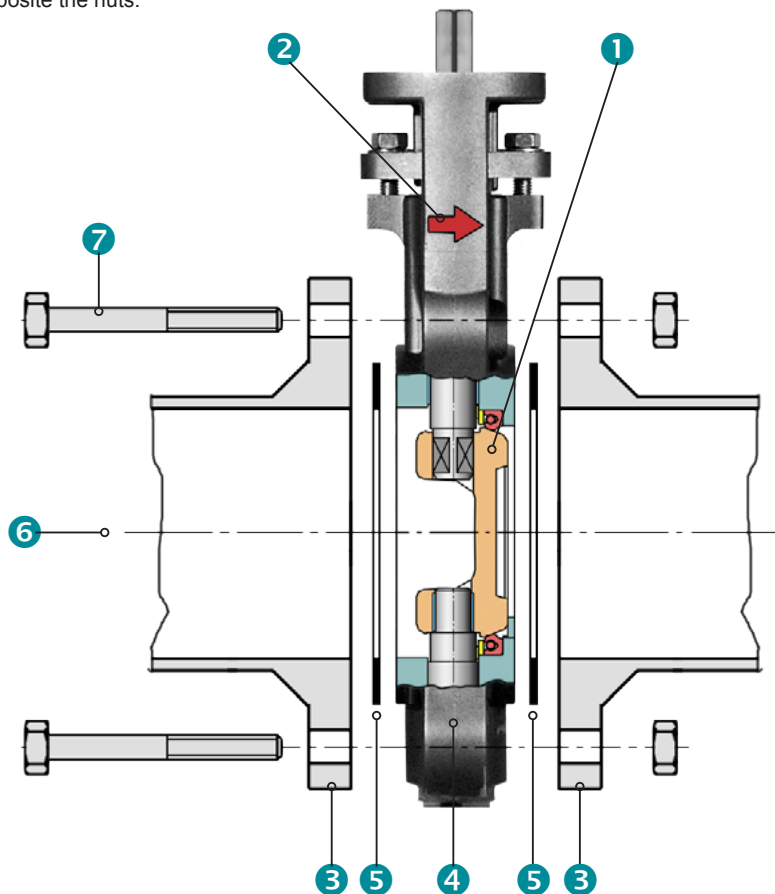
Precautions to be taken prior to installation:

Please make sure that the valve intended for installation is suitable for the service conditions prevailing. The responsibility about the used fluids (corrosion resistance, pressure, temperature, etc.) lies by the user of the plant. Call your supplier or InterApp if you need any assistance.

Please consider that turbulences (i.e. created by piping bow) generate hydro dynamic forces increasing the operating torque of the valve. We recommend installing the valve minimum 5 x DN after pipe fittings.

Installation:

- Flange facings must be smooth and clean. Rust, welding scores, rests of paint, dirt, etc. must be removed.
- ELARA butterfly valves, in wafer style design, are suitable for installation between DIN PN10-PN50 and ANSI150/300 flanges. Please consult the InterApp datasheet « Flanges » concerning the allowed flange dimensions. For the installation of valve between flanges of other standards consult InterApp or its authorised distributors.
- Close the disc of the valve ❶.
- Check the flow direction (arrow at valve body ❷)
- The valve should never be installed between flanges which are not parallel to each other ❸. The flanges have to be spread in order to ease the installation of the valve.
- Insert the valve ❹ and the flat packing seals ❺ between valve and pipe.
- Make sure that pipes and valves are installed concentric ❻.
- Set all stay-bolts ❼ and tighten the nuts by hand. Ensure again that valve and piping is aligned.
- Tighten diagonally opposite the nuts.





Function test:

Prior starting to use the installation, we recommend to make a function test. Therefore the valve must be opened and closed at least once in order to check that the disc doesn't touch the flanges and that the valve is tight through the passage and toward outside.

If a pressure test of the complete piping system is being carried out, it is very important that the testing pressure is not higher than the nominal pressure of the valve. An overpressure could destroy the valve.



Cleansing of the piping:

When cleansing the piping system it is very important to assure that the cleaning products and devices are harmless for the valve. Not convenient products and devices might destroy the valve.

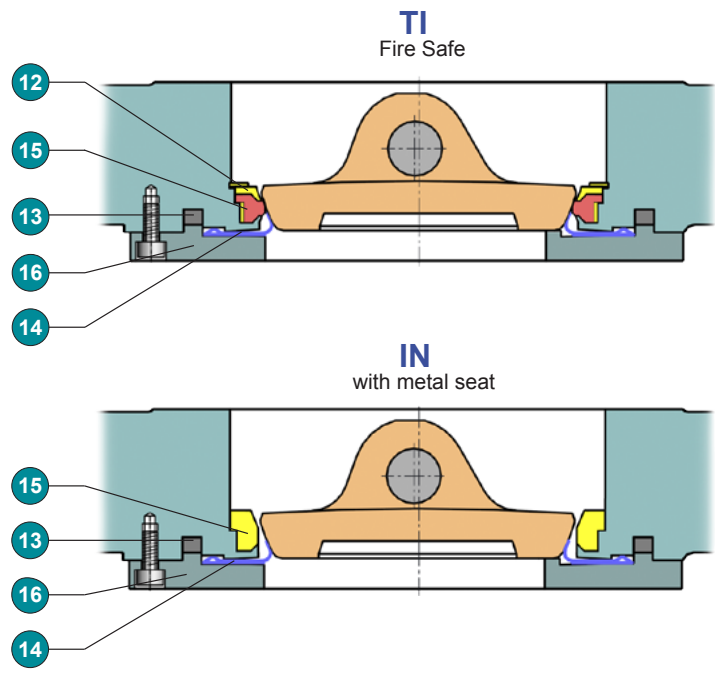
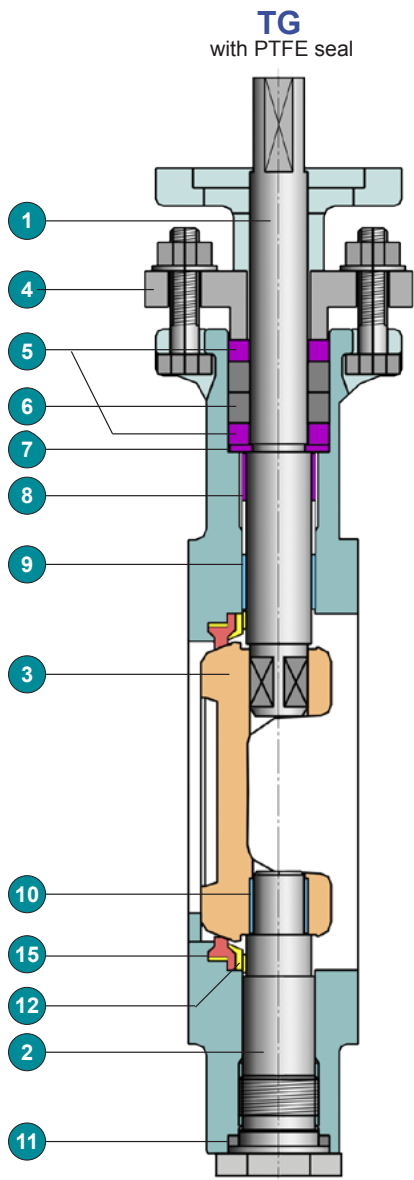
Wartung



Introduction:

Please notice that fluid residues inside the butterfly could be dangerous for humans and the environment. The butterfly valve must be handled accordingly and be cleaned carefully prior to the maintenance. Maintenance is made at the own risk of the user. Maintenance on a ELARA must be executed by trained staff only. Only original spare parts are to be used.

1. Parts of a ELARA:



Parts list	
1	Upper shaft
2	Lower shaft
3	Disc
4	Packing gland
5	Packing washer
6	Graphite packing
7	Washer
8	Shaft bushing
9	Upper shaft bearing
10	Lower shaft bearing
11	Graphite seal
12	Retaining ring for seat
13	Body graphite seal
14	Metal seat
15	Seat ring (TG, TI) Disc centering ring (IN)
16	Flange

2. Valve removal from the line:

Before removing the valve from the pipe consider that dangerous fluids might leak. Corresponding measures of precaution have to be applied. When removing the valve from the pipe please take care not to damage the disc of the valve.

- Close the valve completely.
- Loosen all bolts and remove the valve.
- Use flange spreaders and remove the valve

3. Dismantling:

ELARA, all models:

- a. Dismantle the valve actuator
- b. Remove the packing gland (4)
- c. Unscrew and remove the lower shaft (2)
- d. DN 250 and 300 mm: Remove the disc stem pins
- e. Take off the upper shaft (1) and the rings (5-7), using a stem punch tool
- f. Extract the graphite seal (11)

ELARA "TG", PTFE models:

- g1. Remove the disc (3)
- h1. Remove the retaining ring (12) (except for DN 250 & 300)
- i1. Remove the seat ring (15)
- j1. Take out the shaft bearings (9+10)

ELARA "TI", Fire Safe model:

- g2. Remove the disc (3)
- h2. Remove the retaining ring (12) (except for DN 250 & 300)
- i2. Remove the seat ring (15)
- j2. Take out the shaft bearings (9+10)
- k2. Unscrew the flange (16)
- l2. Remove the metal seat and metal washer (14)
- m2. Take of the body graphite seal (13)

ELARA "IN", Metal-Metal model:

- g3. Remove the disc (3)
- h3. remove the disc centering ring of the disc (15)
- i3. Unscrew the flange (16)
- j3. Remove the metal seat and metal washer (14)
- k3. Take of the body graphite seal (13)

4. Reassembly:

Actually, you may reassemble the valve in reverse order of disassembly. You should clean all parts before reassembling. It's necessary to replace all seals.

Before using the valve in a piping system, it is required to make a tightness test according to DIN 3230 part 3 or similar as well as a function test. Afterwards, put the disc in a slightly open position, so that the disc edge doesn't surpass the flange surface. Close the disc just before you install the valve into the piping.



Removal:

Before removing the valve from the pipe consider that dangerous fluids might leak. Corresponding measures of precaution have to be applied.

Disposal:

Please notice that some residues could remain in the inner of the valve and that they might be dangerous for people or the environment. Therefore, the butterfly valve has to be handled with the corresponding caution. After its use, the butterfly valve has to be disposed of according to the state of the art and under consideration of the environment.

InterApp AG
Grundstrasse 24
CH-6343 Rotkreuz
Phone +41 (0) 41 7982233
Fax +41 (0) 41 7982234
info@ch.interapp.net

InterApp Ges.m.b.H.
Kolpingstrasse 19
A-1230 Wien
Phone +43 (0) 1 6162371-0
Fax +43 (0) 1 6162371-99
info@at.interapp.net

InterApp Italiana
Via Gramsci 29
I-20016 Pero (MI)
Phone +39 02 339371
Fax +39 02 33937200
info@it.interapp.net

InterApp GmbH
Schillerstrasse 50
D-42489 Wülfrath
Phone +49(2058) 8909250
Fax +49(2058) 8909255
info@de.interapp.net

AVK Válvulas S.A.
InterApp Válvulas S.A.
Polígono Industrial Francolí, parcela 27
E-46006 Tarragona
Phone +34 977 543 008
Fax +34 977 541 622
avk@avkvalvulas.com