

Gas ball valves, reduced bore

PN 25, flange / flange, DN 100-600, reduced bore

Body	DN 100-500 Steel, P235GH (1.0345) DN 600 Steel, P355 NL1 (1.0566)/ GP240GH (1.0619)
Ball	DN 100-600 Stainless steel, X5CrNi18-10 (1.4301)
Ball seal	DN 100-600 PTFE+C
Stem	DN 100-600 Stainless steel, X8CrNiS18-9 (1.4305)
Stem seal	DN 100-600 NBR
Operation	DN 100-600 Valve is equipped with manual gear
Flanges	EN 1092-1 Available PN 10, 16, 25, 40

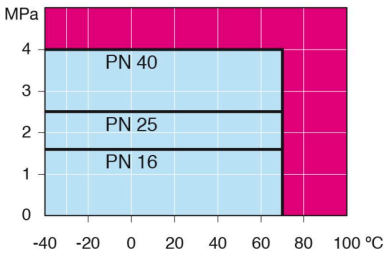


Operation conditions

-40 °C – +70 °C

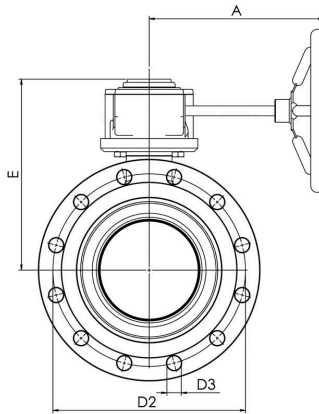
Over 70 °C contact manufacturer

Below -30 °C contact manufacturer

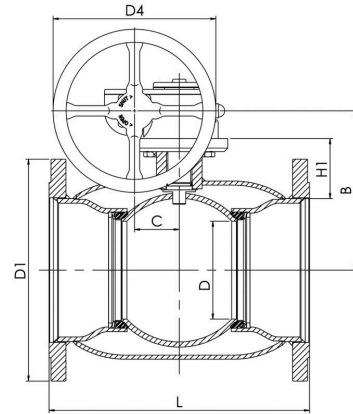


Not for steam

DN 100-600



DN 100-600



DN	PN	Product no. Vexve	A	B	C	D	D1	D2	D3	D4	E	H1	L	kg
100	25	114101/25	186	206	53	80	235.0	190.0	22.0	125.0	248	114	300	26.0
125	25	114126/25	224	216	53	100	270.0	220.0	26.0	200.0	258	112	325	35.0
150	25	114151/25	224	236	53	125	300.0	250.0	26.0	200.0	279	118	350	44.0
200	25	114201/25	268	244	69	150	360.0	310.0	26.0	250.0	293	92	400	78.0
250	25	114251/25	301	294	97	200	425.0	370.0	30.0	300.0	345	108	500	134.0
300	25	114301/25	363	343	118	250	485.0	430.0	30.0	500.0	412	115	500	205.0
350	25	114351/25	363	418	118	290	555.0	490.0	33.0	500.0	487	192	706	295.0
400	25	114401/25	444	500	138	340	620.0	550.0	36.0	500.0	573	242	810	408.0
500	25	114501/25	475	576	180	390	730.0	660.0	36.0	500.0	648	259	978	640.0
600	25	114601/25	475	643	180	489	845.0	770.0	39.0	500.0	714	260	1130	1280.0

Gas ball valves, reduced bore

PN 25, flange / flange, DN 700-800, reduced bore

Body	DN 700-800 Steel, P355 NL1 (1.0566)/ GP240GH (1.0619)
Ball	DN 700-800 Steel + stainless plating, ASTM A350 LF2 +Ni
Ball seal	DN 700-800 PTFE+C
Stem	DN 700-800 Stainless steel, X8CrNiS18-9 (1.4305)
Stem seal	DN 700-800 NBR
Operation	DN 700-800 Valve is equipped with manual gear
Flanges	EN 1092-1 Available PN 10, 16, 25, 40
Equipment	DN 700-800 are equipped with mounting stand, lifting lugs

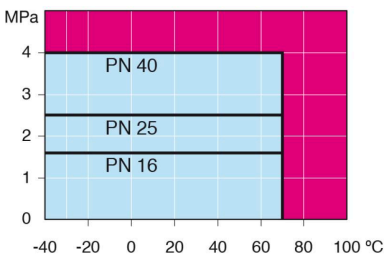


Operation conditions

-40 °C – +70 °C

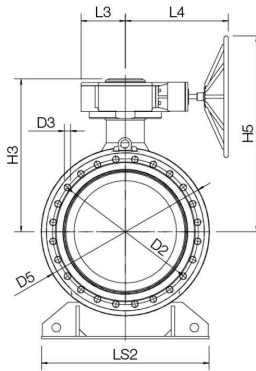
Over 70 °C contact manufacturer

Below -30 °C contact manufacturer

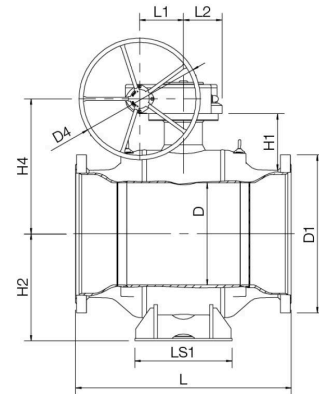


Not for steam

DN 700-800



DN 700-800



DN	PN	Product no. Vexve	D	D1	D2	D3	D4	D5	H1	H2	H3	H4	H5	L	L1	L2	L3	L4	LS1	LS2	kg
700	25	114701/25	589	960.0	875.0	42.0	700.0	965.0	325	616	881	778	1128	1245	253	222	255	593	560	965	3100.0
800	25	114801/25	684	1085.0	990.0	48.0	700.0	1125.0	358	694	961	858	1208	1427	253	222	255	593	700	1028	4400.0