

Gas ball valves, reduced bore

welding / welding, EN (DIN), DN 100-600, reduced bore

Body	DN 100-500 Steel, P235GH (1.0345) DN 600 Steel, P355 NL1 (1.0566)/ GP240GH (1.0619)
Ball	DN 100-600 Stainless steel, X5CrNi18-10 (1.4301)
Ball seal	DN 100-600 PTFE+C
Stem	DN 100-600 Stainless steel, X8CrNiS18-9 (1.4305)
Stem seal	DN 100-600 NBR
Operation	DN 100-600 Valve is equipped with manual gear

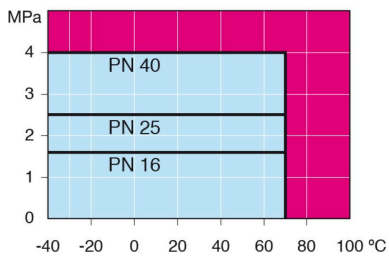


Operation conditions

-40 °C – +70 °C

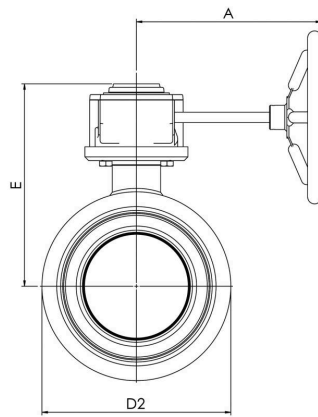
Over 70 °C contact manufacturer

Below -30 °C contact manufacturer

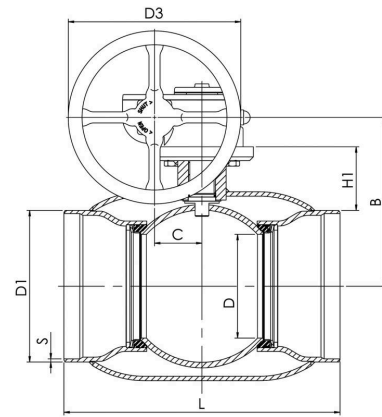


Not for steam

DN 100-600



DN 100-600



DN	PN	Product no. Vexve	A	B	C	D	D1	D2	D3	E	H1	L	S	kg
100	25	114100	186	196	53	80	114.3	146.0	125.0	239	105	325	3,6	18.0
125	25	114125	224	216	53	100	139.7	177.8	200.0	258	112	325	4	20.0
150	25	114150	224	236	53	125	168.3	219.1	200.0	279	118	350	4,5	25.0
200	25	114200	268	244	69	150	219.1	273.0	250.0	293	92	400	4,5	49.0
250	25	114250	301	294	97	200	273.0	355.6	300.0	345	108	530	5	94.0
300	25	114300	363	343	117	250	323.9	457.0	500.0	412	132	550	5,6	152.0
350	25	114350	363	418	117	290	355.6	508.0	500.0	487	192	686	6,3	212.0
400	25	114400	444	500	138	340	406.4	610.0	500.0	573	242	762	7	293.0
500	25	114500	475	576	180	390	508.0	660.0	500.0	648	259	914	7	467.0
600	25	114600	475	643	180	489	610.0	813.0	500.0	714	274	1065	7.1	1025.0

*DN 700-800 also available in PN40. For more information contact our customer service.

Gas ball valves, reduced bore

welding / welding, EN (DIN), DN 700-800, reduced bore

Body	DN 700-800 Steel, P355 NL1 (1.0566)/ GP240GH (1.0619)
Ball	DN 700-800 Steel + stainless plating, ASTM A350 LF2 +Ni
Ball seal	DN 700-800 PTFE+C
Stem	DN 700-800 Stainless steel, X8CrNiS18-9 (1.4305)
Stem seal	DN 700-800 NBR
Operation	DN 700-800 Valve is equipped with manual gear
Equipment	DN 700-800 are equipped with mounting stand, lifting lugs

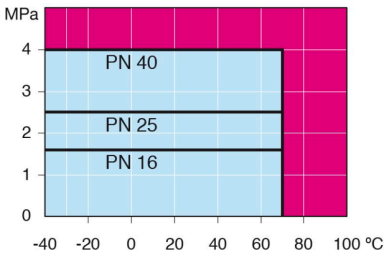


Operation conditions

-40 °C – +70 °C

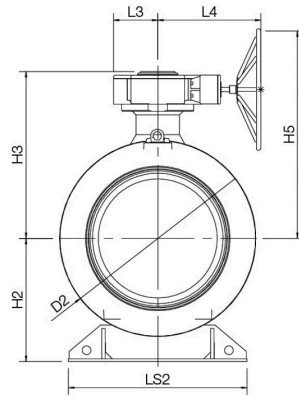
Over 70 °C contact manufacturer

Below -30 °C contact manufacturer

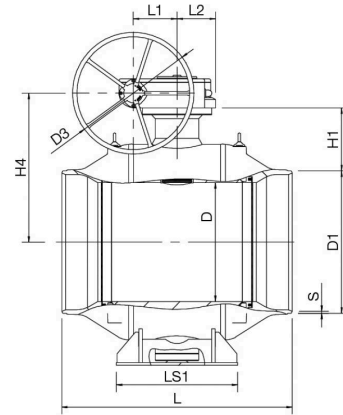


Not for steam

DN 700-800



DN 700-800



DN	PN	Product no.	Vexve	D	D1	D2	D3	H1	H2	H3	H4	H5	L	L1	L2	L3	L4	LS1	LS2	S	kg
700	25	114700		589	712.0	965.0	700.0	337	616	881	778	1128	1205	253	222	255	593	560	965	8	2700.0
800	25	114800		684	813.6	1125.0	700.0	366	709	961	858	1208	1330	253	222	255	593	700	1028	8.8	4050.0

*DN 700–800 also available in PN40. For more information contact our customer service.