

# Gas ball valves, reduced bore

PN 25, flange / flange, DN 65-250, reduced bore

Body	DN 65-250 Steel, P235GH (1.0345)
Ball	DN 65-250 Stainless steel, X5CrNi18-10 (1.4301)
Ball seal	DN 65-250 PTFE+C
Stem	DN 65-250 Stainless steel, X8CrNiS18-9 (1.4305)
Stem seal	DN 65-250 NBR
Operation	DN 65-250 With zinc-plated steel handle
Flanges	EN 1092-1 Available PN 10, 16, 25, 40

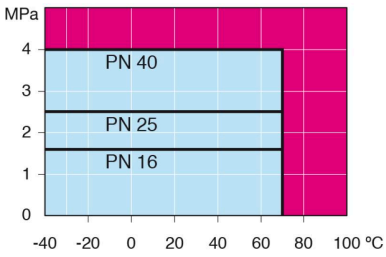


## Operation conditions

-40 °C – +70 °C

Over 70 °C contact manufacturer

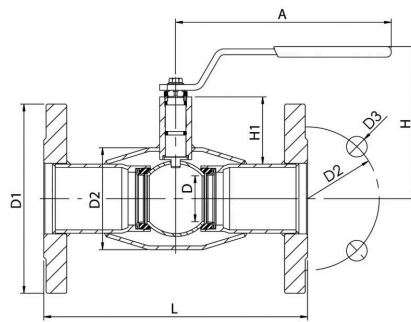
Below -30 °C contact manufacturer



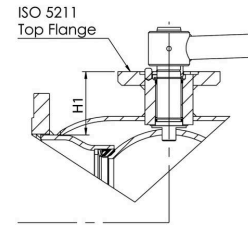
Not for steam

DN	PN	Product no. Vexve	A	D	D1	D2	D3	H	H1	L	kg
65	25	113065/25	277,5	50	185.0	145.0	18.0	159	62	270	11.3
80	25	113080/25	277,5	65	200.0	160.0	18.0	171	68	280	14.9
100	25	113100/25	278,5	80	235.0	190.0	22.0	218	101	300	19.0
125	25	113125/25	400	100	270.0	220.0	26.0	252	101	325	29.0
150	25	113150/25	600	125	300.0	250.0	26.0	272	107	350	37.0
200	25	113200/25	870	150	360.0	310.0	26.0	280	92	400	67.0
250	25	113250/25	1200	200	425.0	370.0	30.0	350	108	500	114.0

DN 15-150



DN 200-250



# Gas ball valves, reduced bore

PN 25, flange / flange, DN 300-600, reduced bore

Body	DN 300-500 Steel, P235GH (1.0345) DN 600 Steel, P355 NL1 (1.0566)/ GP240GH (1.0619)
Ball	DN 300-600 Stainless steel, X5CrNi18-10 (1.4301)
Ball seal	DN 300-600 PTFE+C
Stem	DN 300-600 Stainless steel, X8CrNiS18-9 (1.4305)
Stem seal	DN 300-600 NBR
Operation	DN 300-600 Valves are available with manual gear or with an electric or hydraulic actuator
Flanges	EN 1092-1 Available PN 10, 16, 25, 40

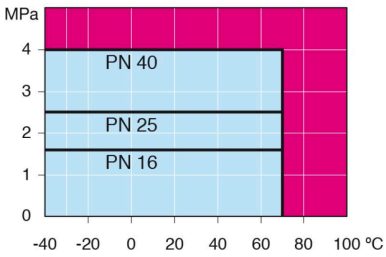


## Operation conditions

-40 °C – +70 °C

Over 70 °C contact manufacturer

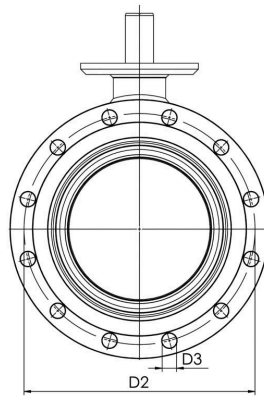
Below -30 °C contact manufacturer



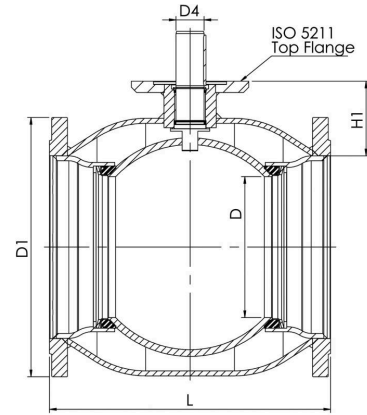
Not for steam

DN	PN	Product no. Vexve	D	D1	D2	D3	D4	H1	L	kg
300	25	113300/25	250	485.0	430.0	30.0	50.0	133	500	163.0
350	25	113350/25	290	555.0	490.0	33.0	50.0	192	706	254.0
400	25	113400/25	340	620.0	550.0	36.0	70.0	242	810	365.0
500	25	113500/25	390	730.0	660.0	36.0	90.0	259	978	574.0
600	25	113600/25	489	845.0	770.0	39.0	90.0	274	1130	1194.0

DN 300-600



DN 300-600



# Gas ball valves, reduced bore

PN 25, flange / flange, DN 700-800, reduced bore

Body	DN 700-800 Steel, P355 NL1 (1.0566)/ GP240GH (1.0619)
Ball	DN 700-800 Steel + stainless plating, ASTM A350 LF2 +Ni
Ball seal	DN 700-800 PTFE+C
Stem	DN 700-800 Stainless steel, X8CrNiS18-9 (1.4305)
Stem seal	DN 700-800 NBR
Operation	DN 700-800 Valves are available with manual gear or with an electric or hydraulic actuator
Flanges	EN 1092-1 Available PN 10, 16, 25, 40
Equipment	DN 700-800 are equipped with mounting stand, lifting lugs

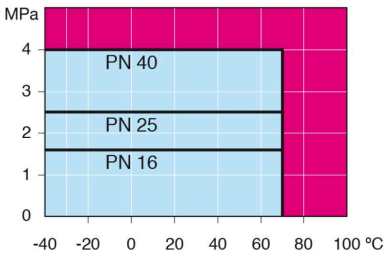


## Operation conditions

-40 °C – +70 °C

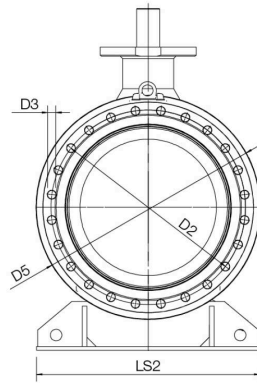
Over 70 °C contact manufacturer

Below -30 °C contact manufacturer

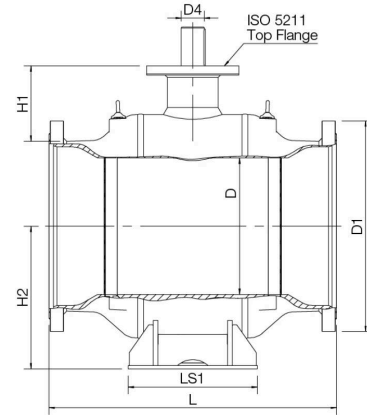


Not for steam

DN 700-800



DN 700-800



DN	PN	Product no. Vexve	D	D1	D2	D3	D4	D5	H1	H2	L	LS1	LS2	kg
700	25	113700/25	589	960.0	875.0	42.0	120.0	965.0	325	616	1245	560	965	2900.0
800	25	113800/25	684	1085.0	990.0	48.0	140.0	1125.0	358	694	1427	700	1028	4400.0