

Gas ball valves, reduced bore

flange / flange, DN 100-600, reduced bore

Body	DN 100-500 Steel, P235GH (1.0345) DN 600 Steel, P355 NL1 (1.0566)/ GP240GH (1.0619)
Ball	DN 100-600 Stainless steel, X5CrNi18-10 (1.4301)
Ball seal	DN 100-600 PTFE+C
Stem	DN 100-600 Stainless steel, X8CrNiS18-9 (1.4305)
Stem seal	DN 100-600 NBR
Operation	DN 100-600 Valve is equipped with manual gear
Flanges	EN 1092-1 Available PN 10, 16, 25, 40

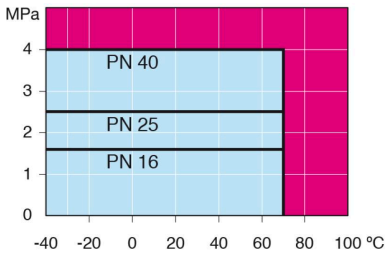


Operation conditions

-40 °C – +70 °C

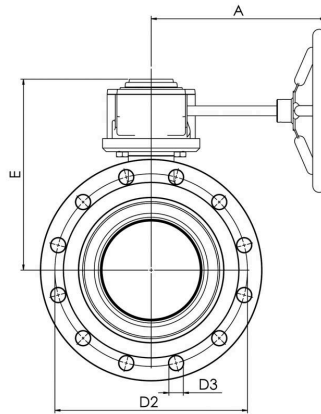
Over 70 °C contact manufacturer

Below -30 °C contact manufacturer

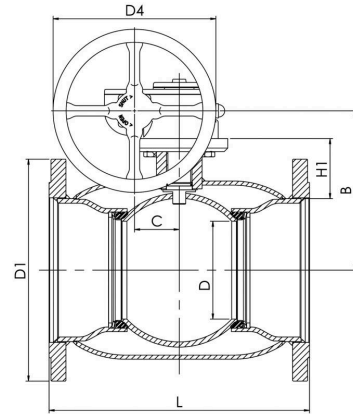


Not for steam

DN 100-600



DN 100-600



DN	PN	Product no. Vexve	A	B	C	D	D1	D2	D3	D4	E	H1	L	kg
100	16	114101	186	206	53	80	220.0	180.0	18.0	125.0	248	114	300	23.0
125	16	114126	224	216	53	100	250.0	210.0	18.0	200.0	258	112	325	30.0
150	16	114151	224	236	53	125	285.0	240.0	22.0	200.0	279	118	350	37.0
200	16	114201	268	244	69	150	340.0	295.0	22.0	250.0	293	92	400	68.0
250	16	114251	301	294	97	200	405.0	355.0	26.0	300.0	345	108	500	122.0
300	16	114301	363	343	118	250	460.0	410.0	26.0	500.0	412	115	500	190.0
350	16	114351	363	418	118	290	520.0	470.0	26.0	500.0	487	192	706	268.0
400	16	114401	440	500	138	340	580.0	525.0	30.0	500.0	573	242	810	365.0
500	16	114501	471	576	180	390	715.0	650.0	33.0	500.0	648	259	978	595.0
600	16	114601	471	643	180	489	840.0	770.0	36.0	500.0	714	260	1130	1230.0

Gas ball valves, reduced bore

flange / flange, DN 700-800, reduced bore

Body	DN 700-800 Steel, P355 NL1 (1.0566)/ GP240GH (1.0619)
Ball	DN 700-800 Steel + stainless plating, ASTM A350 LF2 +Ni
Ball seal	DN 700-800 PTFE+C
Stem	DN 700-800 Stainless steel, X8CrNiS18-9 (1.4305)
Stem seal	DN 700-800 NBR
Operation	DN 700-800 Valve is equipped with manual gear
Flanges	EN 1092-1 Available PN 10, 16, 25, 40
Equipment	DN 700-800 are equipped with mounting stand, lifting lugs

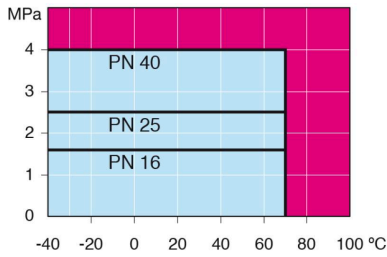


Operation conditions

-40 °C – +70 °C

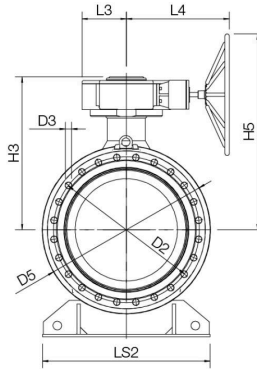
Over 70 °C contact manufacturer

Below -30 °C contact manufacturer



Not for steam

DN 700-800



DN 700-800

DN 700-800

Product no.		DN 700-800																		kg	
DN	PN	Vexve	D	D1	D2	D3	D4	D5	H1	H2	H3	H4	H5	L	L1	L2	L3	L4	LS1	LS2	
700	16	114701	589	910.0	840.0	36.0	700.0	965.0	325	616	881	778	1128	1245	253	222	255	593	560	965	2900.0
800	16	114801	684	1025.0	950.0	39.0	700.0	1125.0	358	694	961	858	1208	1385	253	222	255	593	700	1028	4200.0