

Gas ball valves, reduced bore

flange / flange, DN 15-250, reduced bore

Body	DN 15-250 Steel, P235GH (1.0345)
Ball	DN 15-250 Stainless steel, X5CrNi18-10 (1.4301)
Ball seal	DN 15-250 PTFE+C
Stem	DN 15-250 Stainless steel, X8CrNiS18-9 (1.4305)
Stem seal	DN 15-250 NBR
Operation	DN 15-250 With zinc-plated steel handle
Flanges	EN 1092-1 Available PN 10, 16, 25, 40

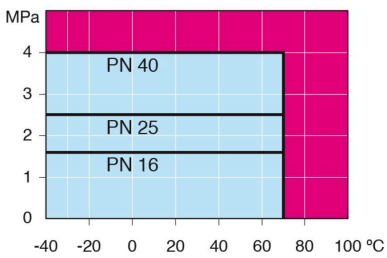


Operation conditions

-40 °C – +70 °C

Over 70 °C contact manufacturer

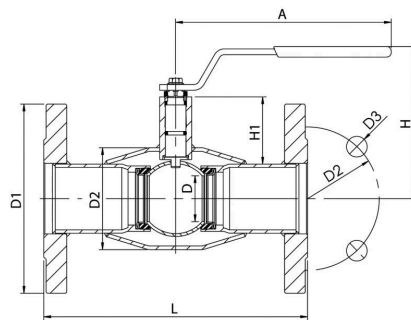
Below -30 °C contact manufacturer



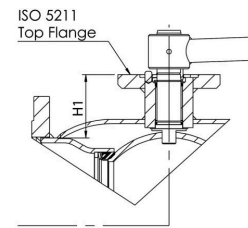
Not for steam

DN	PN	Product no. Vexve	A	D	D1	D2	D3	H	H1	L	kg
15	40	113015	145	10	95.0	65.0	14.0	98	22	130	1.8
20	40	113020	145	15	105.0	75.0	14.0	103	23	150	2.5
25	40	113025	145	20	115.0	85.0	14.0	118	34	160	3.3
32	40	113032	145	25	140.0	100.0	18.0	121	33	180	5.0
40	40	113040	188	32	150.0	110.0	18.0	120	43	200	5.8
50	40	113050	188	40	165.0	125.0	18.0	127	44	230	7.8
65	16	113065	277,5	50	185.0	145.0	18.0	159	62	270	10.5
80	16	113080	277,5	65	200.0	160.0	18.0	171	68	280	12.5
100	16	113100	278,5	80	220.0	180.0	18.0	218	101	300	17.0
125	16	113125	400	100	250.0	210.0	18.0	252	101	325	25.0
150	16	113150	600	125	285.0	240.0	22.0	272	107	350	33.0
200	16	113200	870	150	340.0	295.0	22.0	280	92	400	58.0
250	16	113250	1200	200	405.0	355.0	26.0	350	108	500	102.0

DN 15-150



DN 200-250



Gas ball valves, reduced bore

flange / flange, DN 300-600, reduced bore

Body	DN 300-500 Steel, P235GH (1.0345) DN 600 Steel, P355 NL1 (1.0566)/ GP240GH (1.0619)
Ball	DN 300-600 Stainless steel, X5CrNi18-10 (1.4301)
Ball seal	DN 300-600 PTFE+C
Stem	DN 300-600 Stainless steel, X8CrNiS18-9 (1.4305)
Stem seal	DN 300-600 NBR
Operation	DN 300-600 Valves are available with manual gear or with an electric or hydraulic actuator
Flanges	EN 1092-1 Available PN 10, 16, 25, 40

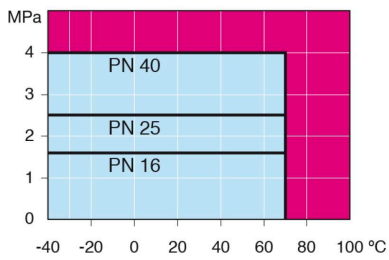


Operation conditions

-40 °C – +70 °C

Over 70 °C contact manufacturer

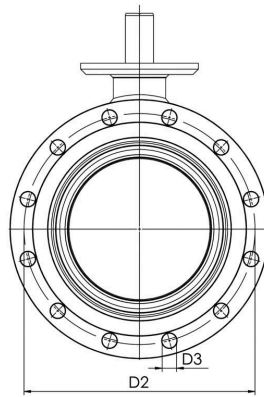
Below -30 °C contact manufacturer



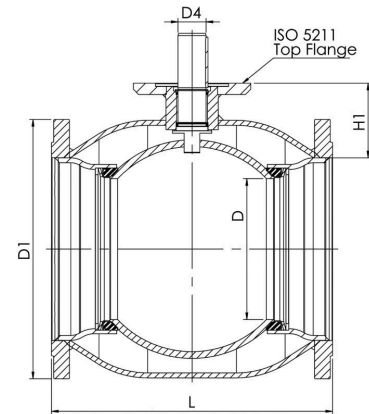
Not for steam

DN	PN	Product no. Vexve	D	D1	D2	D3	D4	H1	L	kg
300	16	113300	250	460.0	410.0	26.0	50.0	133	500	148.0
350	16	113350	290	520.0	470.0	26.0	50.0	192	706	226.0
400	16	113400	340	580.0	525.0	30.0	70.0	242	810	322.0
500	16	113500	390	715.0	650.0	33.0	90.0	259	978	528.0
600	16	113600	489	840.0	770.0	36.0	90.0	274	1130	1144.0

DN 300-600



DN 300-600



Gas ball valves, reduced bore

flange / flange, DN 700-800, reduced bore

Body	DN 700-800 Steel, P355 NL1 (1.0566)/ GP240GH (1.0619)
Ball	DN 700-800 Steel + stainless plating, ASTM A350 LF2 +Ni
Ball seal	DN 700-800 PTFE+C
Stem	DN 700-800 Stainless steel, X8CrNiS18-9 (1.4305)
Stem seal	DN 700-800 NBR
Operation	DN 700-800 Valves are available with manual gear or with an electric or hydraulic actuator
Flanges	EN 1092-1 Available PN 10, 16, 25, 40
Equipment	DN 700-800 are equipped with mounting stand, lifting lugs

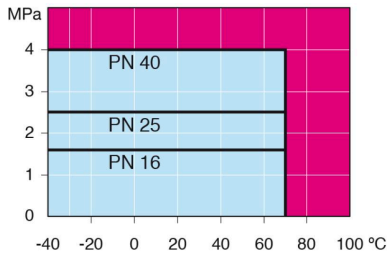


Operation conditions

-40 °C – +70 °C

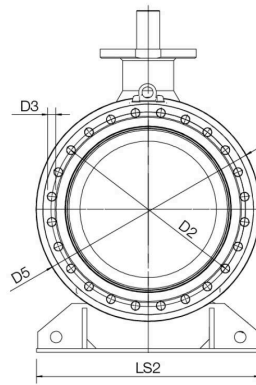
Over 70 °C contact manufacturer

Below -30 °C contact manufacturer

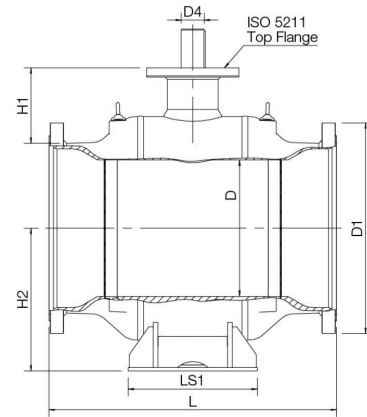


Not for steam

DN 700-800



DN 700-800



DN	PN	Product no. Vexve	D	D1	D2	D3	D4	D5	H1	H2	L	L1	LS1	kg
700	16	113700	589	910.0	840.0	36.0	120.0	965.0	325	616	1245	560	965	2800.0
800	16	113800	684	1025.0	950.0	39.0	140.0	1125.0	358	694	1385	700	1028	4200.0