

# Gas ball valves, reduced bore

welding / welding, GOST, DN 10-250, reduced bore

Body	DN 10-250 Steel, P235GH (1.0345)
Ball	DN 10-250 Stainless steel, X5CrNi18-10 (1.4301)
Ball seal	DN 10-250 PTFE+C
Stem	DN 10-250 Stainless steel, X8CrNiS18-9 (1.4305)
Stem seal	DN 10-250 NBR
Operation	DN 10-250 With zinc-plated steel handle

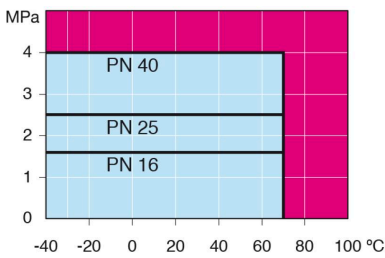


## Operation conditions

-40 °C – +70 °C

Over 70 °C contact manufacturer

Below -30 °C contact manufacturer

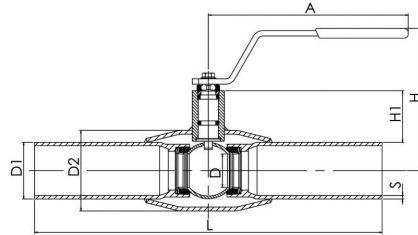


Not for steam

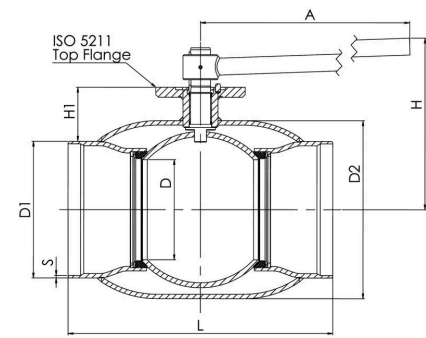
DN	PN	Product no. Vexve	A	D	D1	D2	H	H1	L	S	kg
10	40	110010/GS	145	10	17.0	33.7	98	22	230	2	0.6
15	40	110015/GS	145	10	18.0	33.7	98	22	230	2	0.6
20	40	110020/GS	145	15	25.0	42.4	103	23	230	2,3	0.8
25	40	110025/GS	145	20	32.0	48.3	118	34	230	2,6	1.0
32	40	110032/GS	145	25	38.0	60.3	121	33	260	2,6	1.4
40	40	110040/GS	188	32	45.0	70.0	120	43	260	2,6	1.8
50	40	110050/GS	188	40	57.0	88.9	127	44	300	2,9	2.6
65	25	110065/GS	277,5	50	76.0	101.6	159	62	300	2,9	4.0
80	25	110080/GS	277,5	65	89.0	121.0	171	68	300	3,2	5.3
100	25	110100/GS	278,5	80	108.0	146.0	218	101	325	3,6	8.3
125	25	110125/GS	400	100	133.0	177.8	252	101	325	4	13.4
150	25	110150/GS	600	125	159.0	219.1	272	107	350	5,0	18.0
200	25	110200/GS	870	150	219.0	273.0	280	92	400	5	39.0
250	25	110250/GS	1200	200	273.0	355.6	350	108	530	6	74.0

\*DN 700-800 also available in PN40. For more information contact our customer service.

DN 10-150



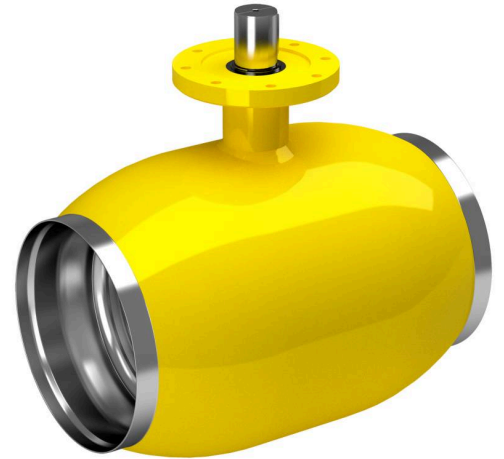
DN 200-250



# Gas ball valves, reduced bore

welding / welding, GOST, DN 300-600, reduced bore

Body	DN 300-500 Steel, P235GH (1.0345) DN 600 Steel, P355 NL1 (1.0566)/ GP240GH (1.0619)
Ball	DN 300-600 Stainless steel, X5CrNi18-10 (1.4301)
Ball seal	DN 300-600 PTFE+C
Stem	DN 300-600 Stainless steel, X8CrNiS18-9 (1.4305)
Stem seal	DN 300-600 NBR
Operation	DN 300-600 Valves are available with manual gear or with an electric or hydraulic actuator

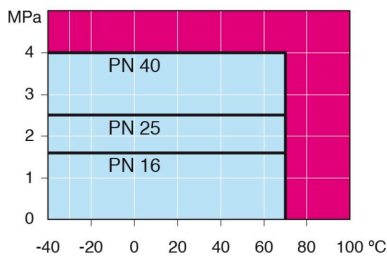


## Operation conditions

-40 °C – +70 °C

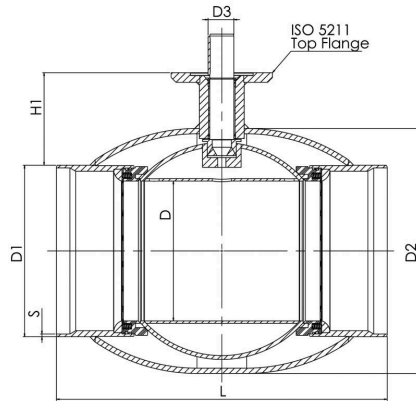
Over 70 °C contact manufacturer

Below -30 °C contact manufacturer

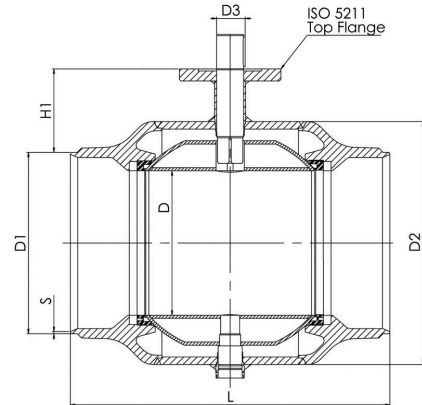


Not for steam

DN 300-500



DN 600



DN	PN	Product no. Vexve	D	D1	D2	D3	H1	L	S	kg
300	25	110300/GS	250	325.0	457.0	50.0	133	550	7	110.0
350	25	110350/GS	290	377.0	508.0	50.0	181	686	7,0	170.0
400	25	110400/GS	340	426.0	610.0	70.0	232	762	7	250.0
500	25	110500/GS	390	530.0	660.0	90.0	248	914	7	400.0
600	25	110600/GS	489	630.0	813.0	90.0	265	1065	11	997.0

\*DN 700-800 also available in PN40. For more information contact our customer service.

# Gas ball valves, reduced bore

welding / welding, GOST, DN 700-800, reduced bore

Body	DN 700-800 Steel, P355 NL1 (1.0566)/ GP240GH (1.0619)
Ball	DN 700-800 Steel + stainless plating, ASTM A350 LF2 +Ni
Ball seal	DN 700-800 PTFE+C
Stem	DN 700-800 Stainless steel, X8CrNiS18-9 (1.4305)
Stem seal	DN 700-800 NBR
Operation	DN 700-800 Valves are available with manual gear or with an electric or hydraulic actuator
Equipment	DN 700-800 are equipped with mounting stand, lifting lugs

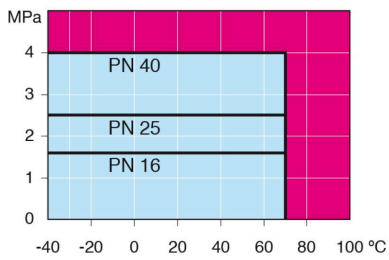


## Operation conditions

-40 °C – +70 °C

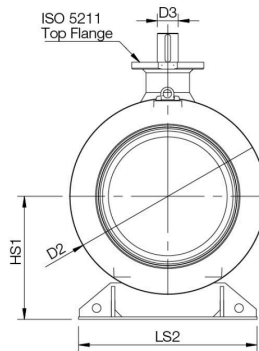
Over 70 °C contact manufacturer

Below -30 °C contact manufacturer

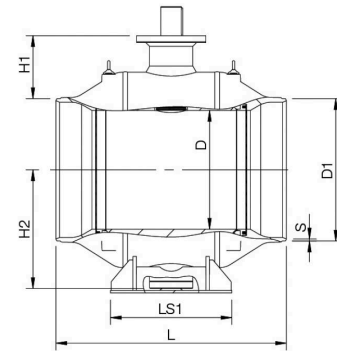


Not for steam

DN 700-800



DN 700-800



DN	PN	Product no. Vexve	D	D1	D2	D3	H1	H2	HS1	L	LS1	LS2	S	kg
700	25	110700/GS	589	720.0	965.0	100.0	332	592	616	1205	560	965	12	2500.0
800	25	110800/GS	684	820.0	1125.0	120.0	363	684	709	1330	700	1028	12	3650.0

\*DN 700-800 also available in PN40. For more information contact our customer service.