

# Gas ball valves, reduced bore

welding / welding, EN (DIN), DN 10-250, reduced bore

Body	DN 10-250 Steel, P235GH (1.0345)
Ball	DN 10-250 Stainless steel, X5CrNi18-10 (1.4301)
Ball seal	DN 10-250 PTFE+C
Stem	DN 10-250 Stainless steel, X8CrNiS18-9 (1.4305)
Stem seal	DN 10-250 NBR
Operation	DN 10-250 With zinc-plated steel handle

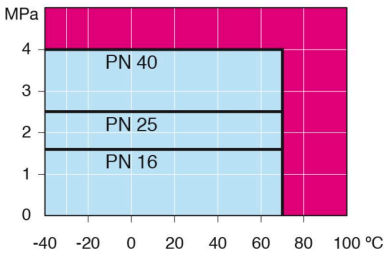


## Operation conditions

-40 °C – +70 °C

Over 70 °C contact manufacturer

Below -30 °C contact manufacturer

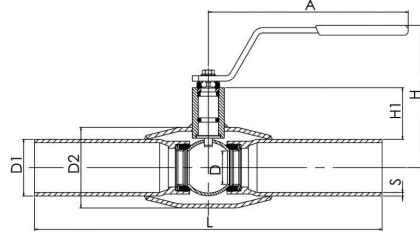


Not for steam

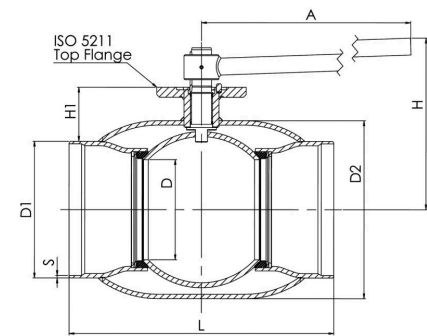
DN	PN	Product no. Vexve	A	D	D1	D2	H	H1	L	S	kg
10	40	110010	145	10	17.2	33.7	98	22	230	2	0.6
15	40	110015	145	10	21.3	33.7	98	22	230	2	0.6
20	40	110020	145	15	26.9	42.4	103	23	230	2,3	0.8
25	40	110025	145	20	33.7	48.3	118	34	230	2,6	1.0
32	40	110032	145	25	42.4	60.3	121	33	260	2,6	1.4
40	40	110040	188	32	48.3	70.0	120	43	260	2,6	1.8
50	40	110050	188	40	60.3	88.9	127	44	300	2,9	2.6
65	25	110065	277,5	50	76.1	101.6	159	62	300	2,9	4.0
80	25	110080	277,5	65	88.9	121.0	171	68	300	3,2	5.3
100	25	110100	278,5	80	114.3	146.0	218	101	325	3,6	8.3
125	25	110125	400	100	139.7	177.8	252	101	325	4	13.4
150	25	110150	600	125	168.3	219.1	272	107	350	4,5	18.0
200	25	110200	870	150	219.1	273.0	280	92	400	4,5	39.0
250	25	110250	1200	200	273.0	355.6	350	108	530	5	74.0

\*DN 700-800 also available in PN40. For more information contact our customer service.

DN 10-150



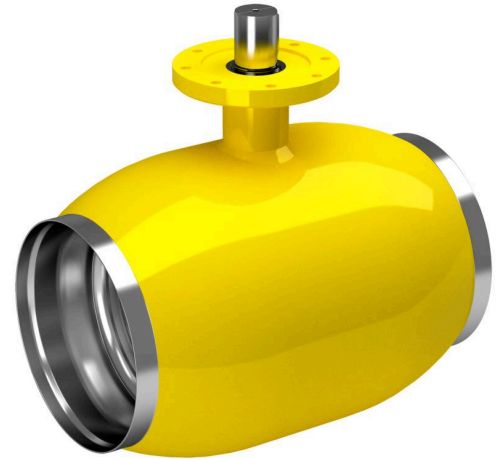
DN 200-250



# Gas ball valves, reduced bore

welding / welding, EN (DIN), DN 300-600, reduced bore

Body	DN 300-500 Steel, P235GH (1.0345) DN 600 Steel, P355 NL1 (1.0566)/ GP240GH (1.0619)
Ball	DN 300-600 Stainless steel, X5CrNi18-10 (1.4301)
Ball seal	DN 300-600 PTFE+C
Stem	DN 300-600 Stainless steel, X8CrNiS18-9 (1.4305)
Stem seal	DN 300-600 NBR
Operation	DN 300-600 Valves are available with manual gear or with an electric or hydraulic actuator

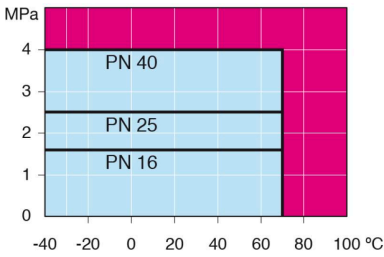


## Operation conditions

-40 °C – +70 °C

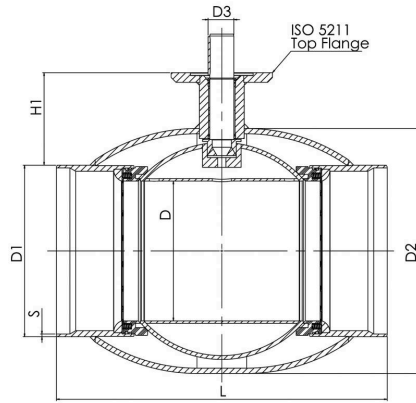
Over 70 °C contact manufacturer

Below -30 °C contact manufacturer

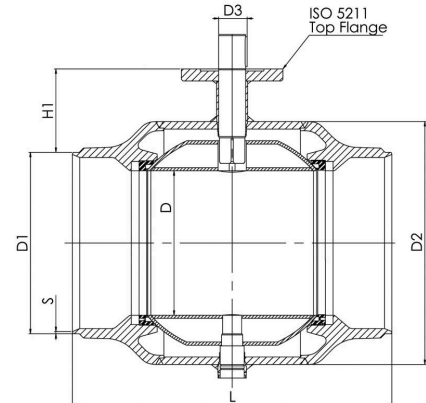


Not for steam

DN 300-500



DN 600



DN	PN	Product no. Vexve	D	D1	D2	D3	H1	L	S	kg
300	25	110300	250	323.9	457.0	50.0	133	550	5.6	110.0
350	25	110350	290	355.6	508.0	50.0	192	686	6,3	170.0
400	25	110400	340	406.4	610.0	70.0	242	762	7	250.0
500	25	110500	390	508.0	660.0	90.0	259	914	7	400.0
600	25	110600	489	610.0	813.0	90.0	274	1067	7.1	997.0

\*DN 700-800 also available in PN40. For more information contact our customer service.

# Gas ball valves, reduced bore

welding / welding, EN (DIN), DN 700-800, reduced bore

Body	DN 700-800 Steel, P355 NL1 (1.0566)/ GP240GH (1.0619)
Ball	DN 700-800 Steel + stainless plating, ASTM A350 LF2 +Ni
Ball seal	DN 700-800 PTFE+C
Stem	DN 700-800 Stainless steel, X8CrNiS18-9 (1.4305)
Stem seal	DN 700-800 NBR
Operation	DN 700-800 Valves are available with manual gear or with an electric or hydraulic actuator
Equipment	DN 700-800 are equipped with mounting stand, lifting lugs

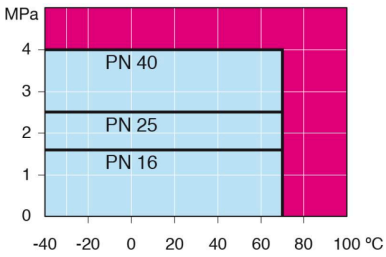


## Operation conditions

-40 °C – +70 °C

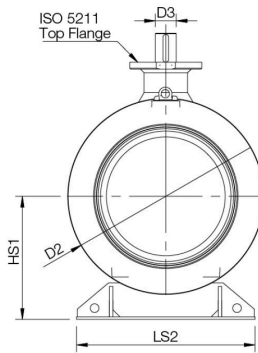
Over 70 °C contact manufacturer

Below -30 °C contact manufacturer

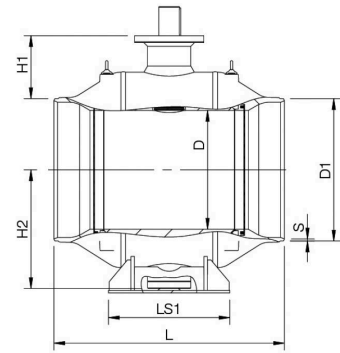


Not for steam

DN 700-800



DN 700-800



DN	PN	Product no. Vexve	D	D1	D2	D3	H1	H2	HS1	L	LS1	LS2	S	kg
700	25	110700	589	711.0	965.0	100.0	336	592	616	1205	560	965	8	2500.0
800	25	110800	684	813.0	1125.0	120.0	365	684	709	1330	700	1028	8.8	3650.0

\*DN 700–800 also available in PN40. For more information contact our customer service.